

Technical Data Sheet

Rev. 16025

Page 1 of 1

13mm Flanged Plug Cap, Low Density Polyethylene (LDPE)

Item# 118240



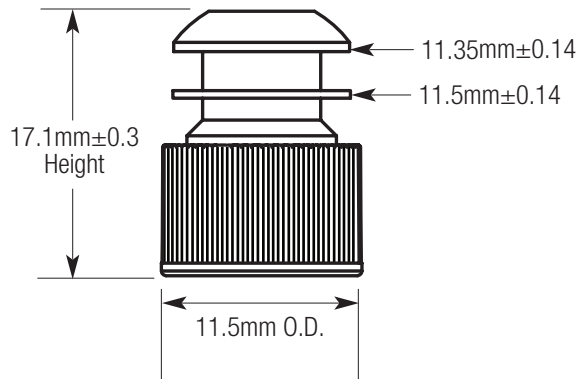
Description

These polyethylene (PE) flanged plug caps provide exceptional leak-resistance in test tubes, centrifuge tubes and round cuvettes. They feature two flexible flanges that press firmly against the inside wall of the tubes, thereby providing better leak-resistance than standard plug caps.

Features

- Superior leak-resistance
- Low density polyethylene (LDPE)
- Assorted colors

Packaging: 1000 per bag
20 bags/case



Drawing Scale – 2:1

Products

Item#	Description	Packaging
118240B	Cap, Flange Plug, 13mm, Blue	Pack of 1000
118240C	Cap, Flange Plug, 13mm, Clear	Pack of 1000
118240G	Cap, Flange Plug, 13mm, Green	Pack of 1000
118240K	Cap, Flange Plug, 13mm, Black	Pack of 1000
118240L	Cap, Flange Plug, 13mm, Lavender	Pack of 1000
118240N	Cap, Flange Plug, 13mm, Orange	Pack of 1000
118240R	Cap, Flange Plug, 13mm, Red	Pack of 1000
118240W	Cap, Flange Plug, 13mm, White	Pack of 1000
118240Y	Cap, Flange Plug, 13mm, Yellow	Pack of 1000